



手工焊接而成的燈罩，表現出如同石頭風化後的果斷線條，帶來不同角度的光影變化。樺木軸心的木紋，將大自然的鬼斧神工融入其中。「柘」結合了人類與自然的工藝，然後，用光來串接，霧面玻璃柔化了刺眼的光線。

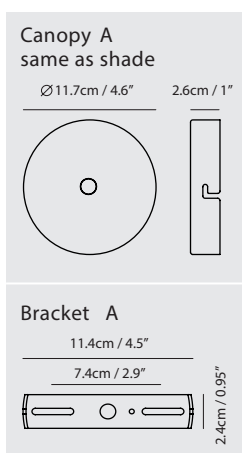
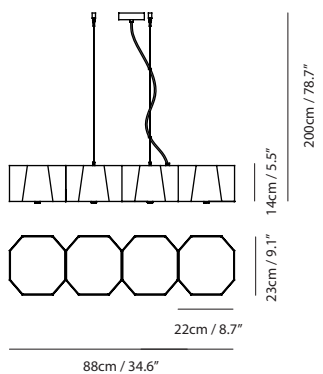
ZHE is inspired by a wood from the Orient that is hard as rock. The metal lampshade is meticulously and deliberately hand welded together to resemble a cluster or rocks. Look closely and notice how each metal plate is a bit asymmetrical yet they all fit seamlessly together. Wooden stoppers under each frosted diffuser not only introduce warm elements of the wood, but functionally they soften up the overall light source. ZHE exemplifies subtle illumination in a grand scale.

By Li, Hui Lun 李慧倫



matt black

Measurement : centimeter / inches



**ZHE Pendant P4**

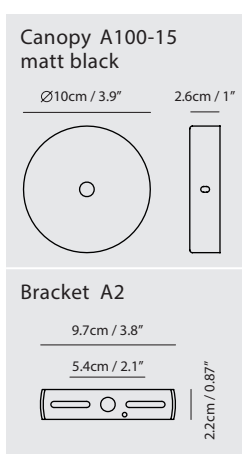
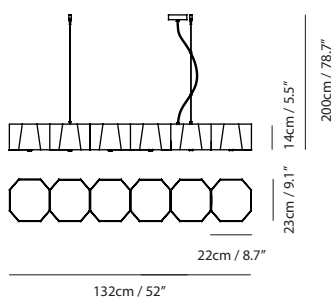
**Model**  
SQ-2322MPL4

**Material**  
steel, glass

**Light Source**  
E27 4 x 8W LED 2700K

**Weight**  
7.6kg / 16.8lb

**Color**  
● matt black



**ZHE Pendant P6**

**Model**  
SQ-2322MPL6

**Material**  
steel, glass

**Light Source**  
E27 6 x 8W LED 2700/3000K

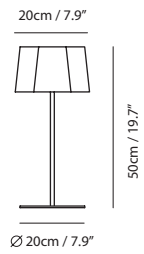
**Weight**  
10.8kg / 23.8lb

**Color**  
● matt black



matt black

Measurement : centimeter / inches



**Zen table**

**Model**  
SQ-2322MD

**Material**  
steel

**Light Source**  
E27 1 x 8W LED 2700/3000K

**Color**  
● matt black